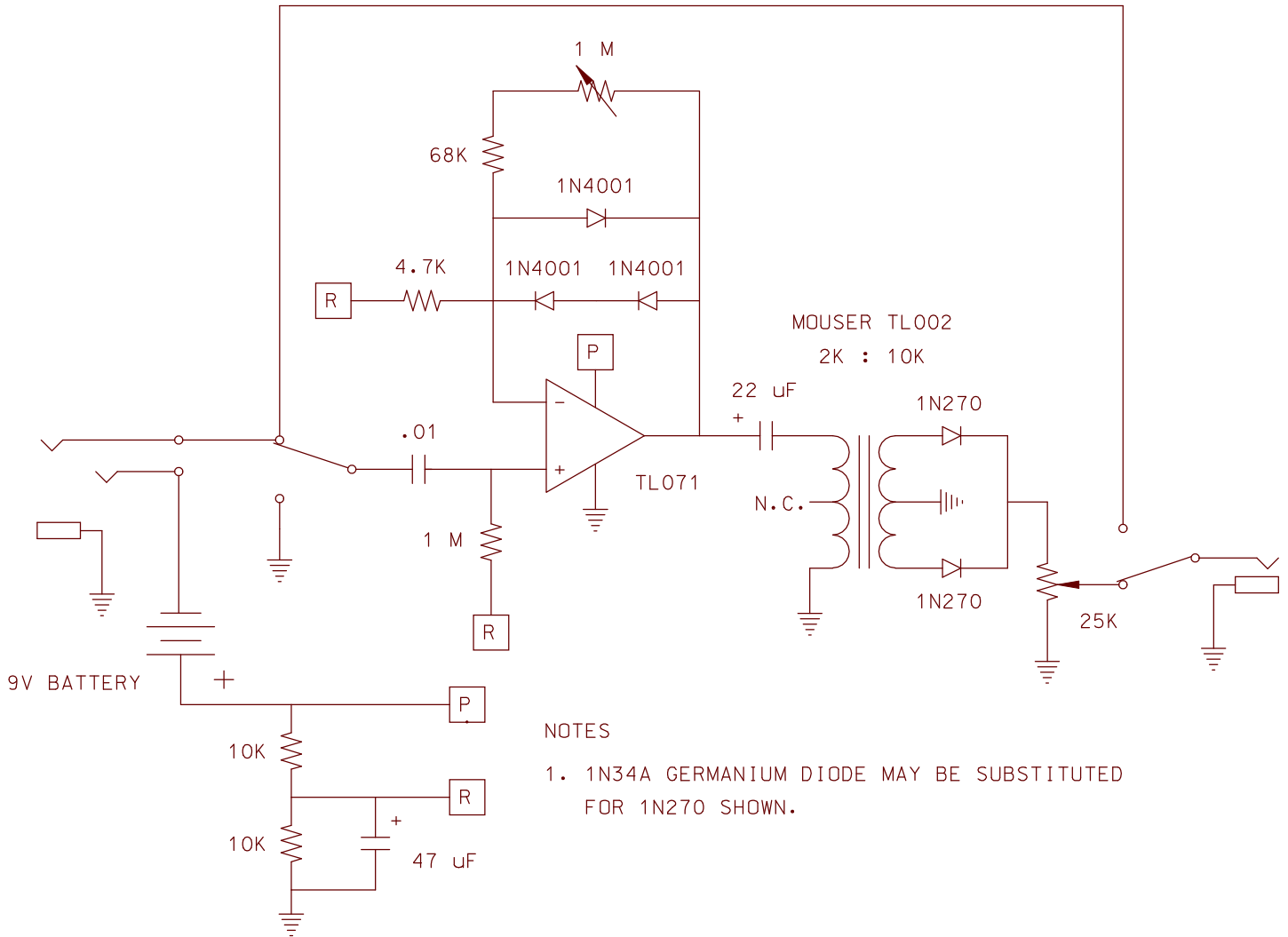


# THE OCTAVE SCREAMER

COPYRIGHT 2000 BY SCOTT SWARTZ  
ALL RIGHTS RESERVED



## NOTES

1. 1N34A GERMANIUM DIODE MAY BE SUBSTITUTED FOR 1N270 SHOWN.